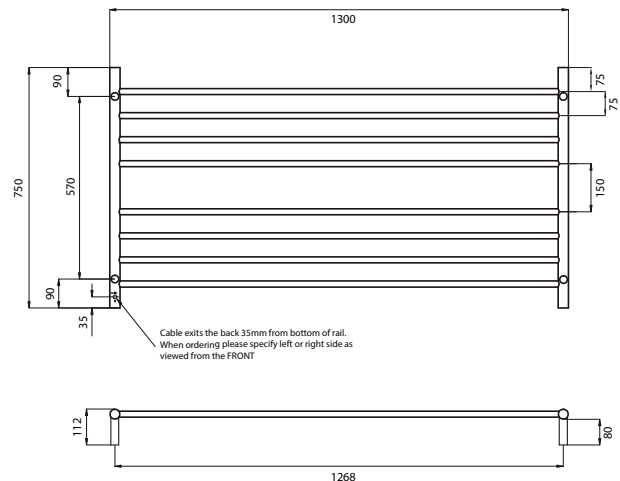



ROUND HEATED *specifications*

RTR09 – Standard 240V model

MANUFACTURED FROM 304 GRADE STAINLESS STEEL
 IP55 RATED
 ALL TOWEL RAILS AVAILABLE WITH EITHER BOTTOM LEFT OR RIGHT OUTPUT
 ALL STANDARD RAILS ARE DUAL PURPOSE, OFFERING A PLUG AS STANDARD, BUT PACK CONTAINS A HARD WIRING KIT
 CAN BE MOUNTED UPSIDE DOWN
 10 YEAR WARRANTY FOR CONSTRUCTION / HEATING ELEMENT
 COATING ON COLOURED RAILS ARE COVERED BY A 2 YEAR WARRANTY
 IDEAL FOR LAUNDRY ROOMS



FEATURES	CODE	SIZE (MM)	FINISH
<ul style="list-style-type: none"> Round bar / Height 750mm / 8 bars with a central gap / 180W 	RTR09LEFT	1300x750	Polished 
<ul style="list-style-type: none"> Standard model is 240V / IP55 rated Vertical bars 32mm diameter Horizontal bars 19mm diameter 112mm from wall Cable length: 1.4m, plug included To see our range of low voltage (12V) models please refer to our website for the complete range: radiantheating.com.au 	RTR09RIGHT	1300x750	Polished 