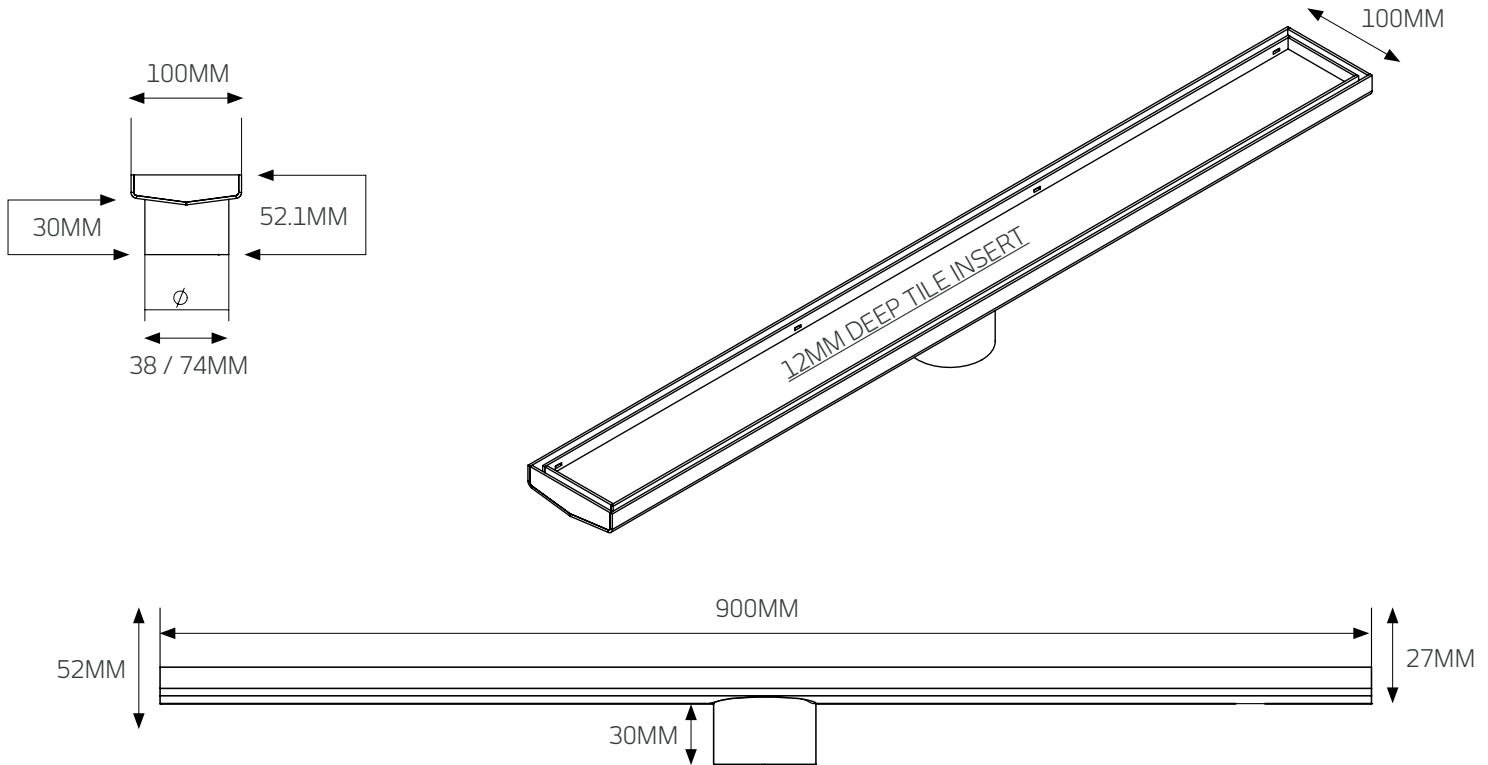






SHOWER GRATES *specifications*

RGL-900 – 900 x 100 x 38/74mm



FEATURES	CODE	SIZE (MM)	COLOURS	FINISH
• 304 stainless steel	RGL-900	900x100x74	Mirror Polished	Polished edges 
• Thickness of stainless steel is 2.3mm	RGL-900-38	900x100x38	Mirror Polished	Polished edges 
• Australian Watermark approved	BLK-RGL-900	900x100x74	Matt Black	Teflon coating 
• 12mm deep insert can accommodate up to 10mm tile + adhesive	BLK-RGL-900-38	900x100x38	Matt Black	Teflon coating 
• Covered by a 7 year warranty *				

* The replacement warranty for the coated grates are only applicable until the date of installation. Once Installed any damage to the coatings due to the incorrect use of cleaning products, mis-use or accidental damage, will not be covered under warranty.