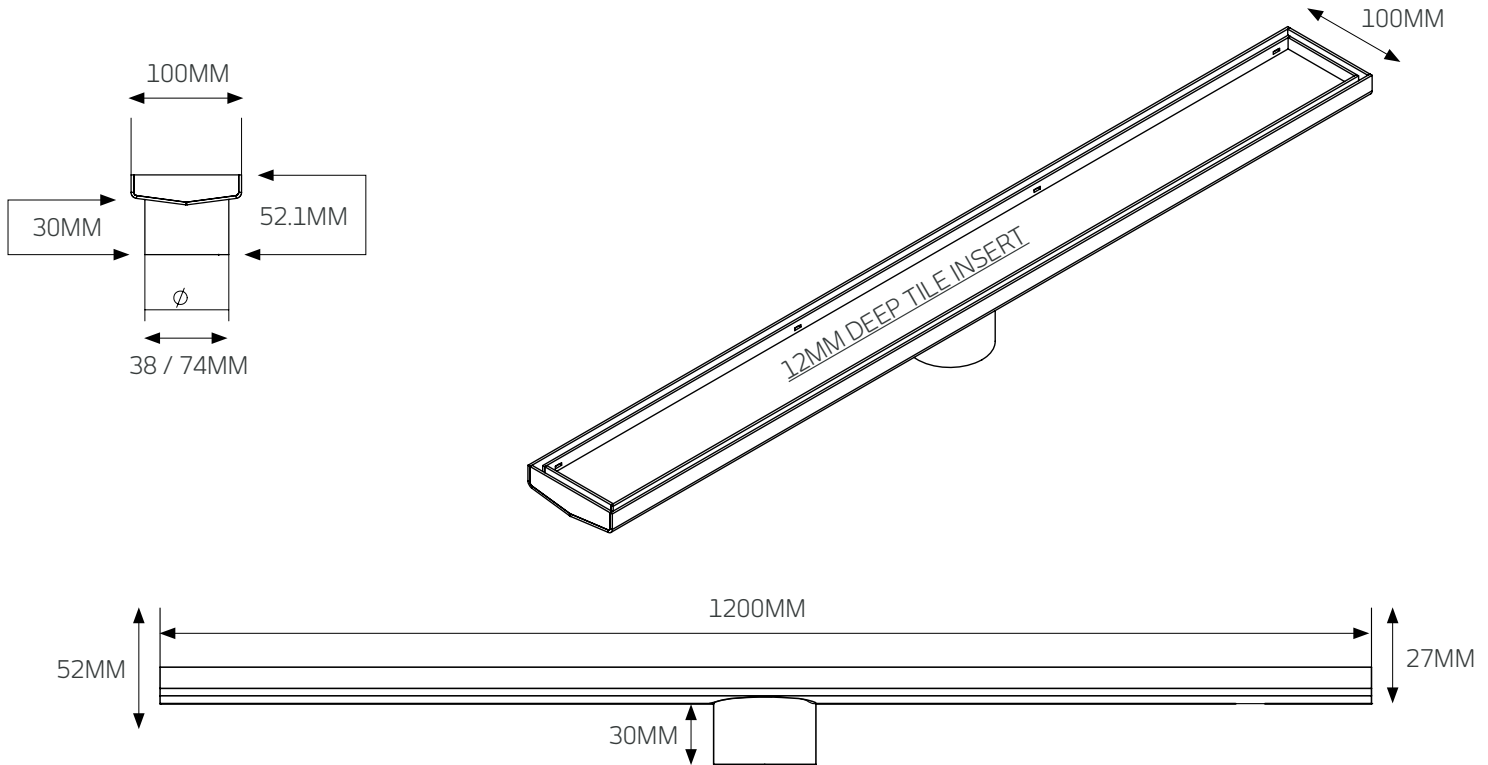


# SHOWER GRATES *specifications*

## 316-RGL-1200 – 1200 x 100 x 38/74mm



FEATURES	CODE	SIZE (MM)	COLOURS
• 316 stainless steel	316-RGL-1200	1200x100x74	Stainless Steel <span style="color: grey;">●</span>
• Thickness of stainless steel is 1.2mm	316-RGL-1200-38	1200x100x38	Stainless Steel <span style="color: grey;">●</span>
• Base is 1.2mm folded edge, cover is 1.0mm folded edge			
• Australian Watermark approved			
• 12mm deep insert can accommodate up to 10mm tile + adhesive			
• Covered by a 7 year warranty *			

\* The replacement warranty for the coated grates are only applicable until the date of installation. Once Installed any damage to the coatings due to the incorrect use of cleaning products, mis-use or accidental damage, will not be covered under warranty.