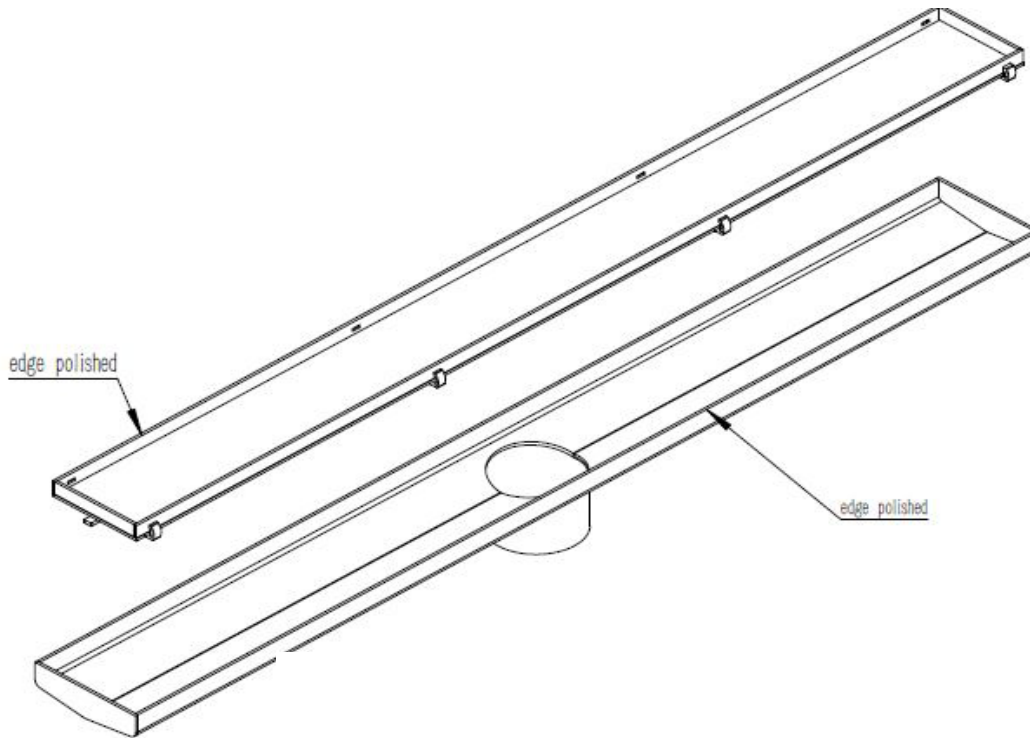
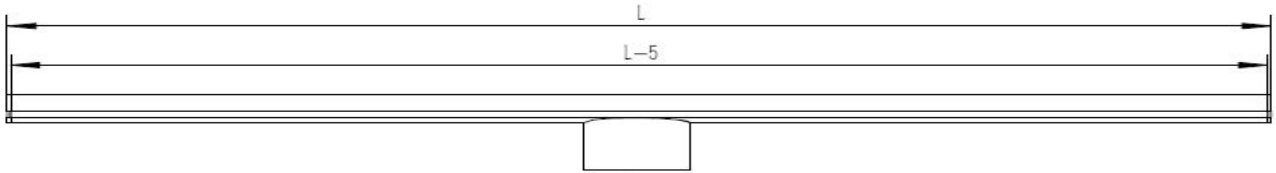


SHOWER GRATES specifications

RGL-600 600 x 100 x 76 mm



DESIGNED FOR TILE INSERT
MANUFACTURED FROM 304 GRADE
STAINLESS STEEL
COVERED BY A 7 YEAR WARRANTY
WASTE DIAMETER 76MM

